

# HOBO® Pendant® G Acceleration Data Logger (UA-004-64) Manual



The HOBO Pendant G Acceleration Data Logger is a waterproof, three-channel logger with 8-bit resolution and can record up to approximately 21,800 combined x-, y-, and z-axis acceleration readings or internal logger events. The logger uses a coupler and optical base station with USB interface for launching and data readout by a computer.

The logger can be used for a wide variety of experiments, demonstrations and field studies by measuring dynamic acceleration resulting from motion, shock, or vibration. It can also detect static acceleration of gravity, making it possible to measure tilt, activity, and inclination.

The logger uses an internal three-axis accelerometer with a range of  $\pm 3 g$  based on micro-machined silicon sensors consisting of beams that deflect with acceleration. These beams are arranged to act as a variable capacitor. As the beams move, the capacitance changes proportionately. This capacitance change is converted to voltage, filtered and measured by the logger, and displayed in the software in units of  $g$ -force.

## HOBO Pendant Event Data Logger

Model: UA-004-64

### Included Items:

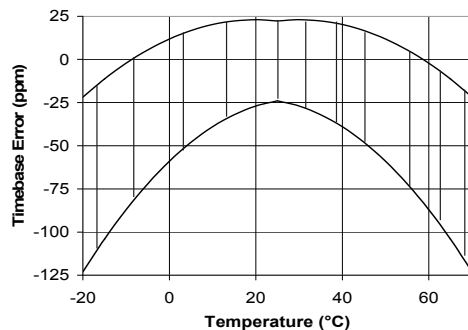
- Mounting Bracket
- Screw

### Required Items:

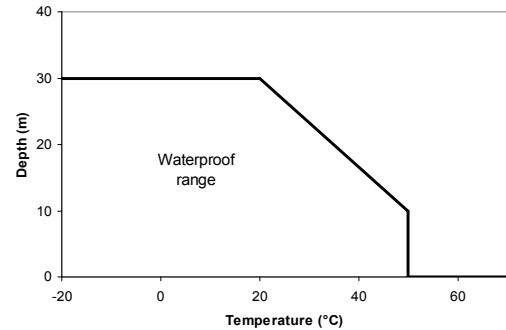
- HOBOWare 2.x or later
- USB cable (included with software)
- Pendant Optic USB Base Station & Coupler (BASE-U-1)
- Optic USB Base Station (BASE-U-4) or HOBO Waterproof Shuttle (U-DTW-1) & Coupler (COUPLER2-A)

## Specifications

<b>Measurement Range</b>	$\pm 3 g$ ; 29.4 m/s <sup>2</sup> (96.5 ft/s <sup>2</sup> )
<b>Accuracy</b>	$\pm 0.075 g$ ; 0.735 m/s <sup>2</sup> (2.41 ft/s <sup>2</sup> ) at 25°C (77°F) $\pm 0.105 g$ ; 1.03 m/s <sup>2</sup> (3.38 ft/s <sup>2</sup> ) from -20°C to 70°C (-4°F to 158°F)
<b>Resolution</b>	0.025 g; 0.245 m/s <sup>2</sup> (0.8 ft/s <sup>2</sup> )
<b>Logging Interval</b>	1 second to 18 hours, 12minutes, 15 seconds in Normal mode 0.01 seconds (100 Hz) to 0.99 seconds (1.01 Hz) in Fast mode
<b>Time Accuracy</b>	$\pm 1$ minute per month at 25°C (77°F), see Plot A
<b>Operating Range</b>	In water/ice: -20° to 50°C (-4° to 122°F) In air: -20° to 70°C (-4° to 158°F)
<b>Water Depth Rating</b>	30 m from -20° to 20°C (100 ft from -4° to 68°F), see Plot B
<b>Battery Life</b>	1 year typical use in Normal mode; 7 days logging at 0.01 seconds (100 Hz) in Fast mode
<b>Memory</b>	64K bytes (approximately 21.8K combined x-, y-, and z-axis readings or events)
<b>Materials</b>	Polypropylene case; stainless steel screws; Buna-N o-ring
<b>Weight</b>	18 g (0.6 oz)
<b>Dimensions</b>	58 x 33 x 23 mm (2.3 x 1.3 x 0.9 inches)
<b>CE</b>	The CE Marking identifies this product as complying with all relevant directives in the European Union (EU).



Plot A



Plot B

## Connecting the Logger to a Computer

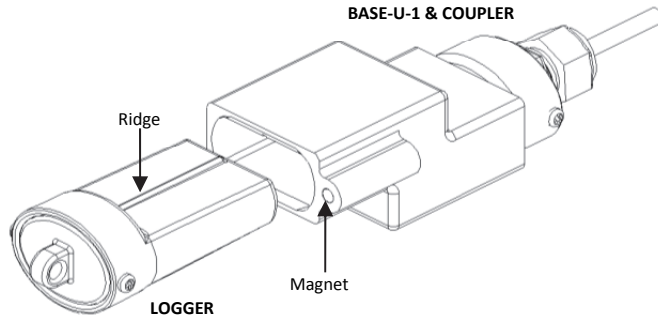
The HOBO Pendant G logger requires HOBOWare Pro or HOBOWare Lite and either of the following to connect to the computer:

- Pendant Optic USB Base Station & Coupler (BASE-U-1);  
**OR**
- Optic USB Base Station (BASE-U-4) or HOBO Waterproof Shuttle (U-DTW-1); coupler (COUPLER2A)

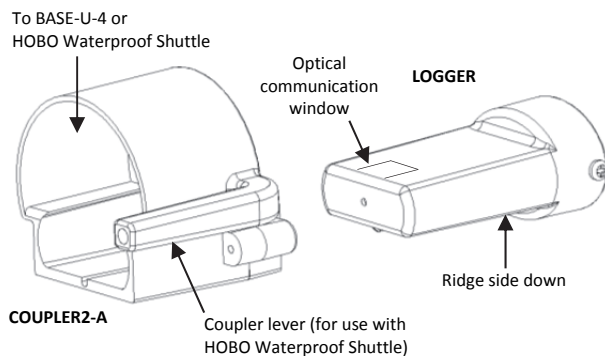
If possible, avoid connecting at temperatures below 0°C (32°F) or above 50°C (122°F).

1. Plug the USB connector on the base station into an available USB port on your computer.
2. Insert the logger and the base station into the coupler, as shown in the following diagrams.

For BASE-U-1, make sure that the logger is inserted in the end of the coupler that has the magnet, and that the ridges on the base station and logger are aligned with the grooves in the coupler.



For BASE-U-4 or the HOBO Waterproof Shuttle, firmly insert the optical end of the base station into the D-shaped end of the coupler, and make sure that the ridge on the logger is aligned with the groove in the coupler.



3. If you are using the HOBO Waterproof Shuttle, briefly press the coupler lever to put the shuttle into base station mode.
4. If the logger has never been connected to the computer before, it may take a few seconds for the new hardware to be detected.
5. Use the logger software to set up the alarms, launch, and read out the logger.

You can read out the logger or check its status while it continues to log (in Normal logging mode only), stop it manually with the software, or let it record data until the

memory is full. Refer to the software user's guide for complete details on launching, reading out, and viewing data from the logger.

**Important:** Do not cover the optical communication window in the logger (shown in diagram above) with a label or sticker as that may interfere with the communications with the base station or shuttle.

## Triggered Start

This logger can be configured to start at your command, using the magnet in the coupler to trigger a start. (To log in Fast mode, this is the *only* way to launch the logger.)

1. Use HOBOWare to launch the logger with Using Coupler selected. Remove the logger from the coupler.
2. Bring the logger and an empty coupler or strong magnet to the deployment location.

**Important:** Any magnet can trigger a start. This can be helpful, but it can also cause a premature start. Keep the logger away from strong magnetic fields until you are ready to begin logging.

3. When you are ready for the logger to start logging, insert the logger into the empty coupler (or place it next to a strong magnet) and remove it after three seconds.

**Important:** The logger will not launch if the base station is in the coupler.

4. Verify that the logger's light is blinking at least every four seconds.

## Sample and Event Logging

While logging in Normal mode, the logger can record two types of data: samples and internal logger events. Samples are the measurements recorded at each logging interval (for example, x-axis acceleration every minute). Events are independent occurrences triggered by a logger activity, such as Bad Battery or Host Connected. Events help you determine what was happening while the logger was logging.

Events are not logged in Fast mode.

## Normal vs. Fast Logging Modes

When you launch the logger, you can choose between Normal mode and Fast mode. In Normal mode, the logger's fastest logging interval is once per second. Normal mode is ideal for applications involving tilt, activity, and inclination. These applications do not require information about the dynamics of the acceleration events, but rely more on the static acceleration of gravity.

Fast mode allows logging intervals between 0.01 and 0.99 seconds (100 to 1.01 Hz), making it ideal for applications involving vibration and shock. These applications are more concerned with the dynamics of the acceleration events over short periods, and would not be captured in Normal mode.

**Important:** Connecting the logger to the computer (or a shuttle) when logging in Fast mode will stop the logger.

The logger’s memory can store roughly 60,000 measurements. The time required to fill this memory depends on how many channels and events are being logged, as well as the logging interval. For example, if you log x-, y-, and z-axis acceleration at 100 Hz, the logger’s memory will fill up in less than four minutes. An estimated duration, based on the logging interval and channels you select, is displayed in the Launch Logger window in HOBOWare.

## Operation

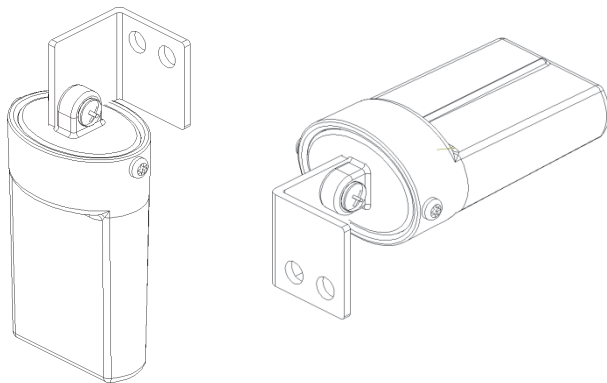
A light (LED) on the front of the logger confirms logger operation. The following table explains when the light blinks during logger operation.

When:	The light:
The logger is awaiting a start because it was configured to start logging At Interval, On Date/Time, or Using Coupler	Blinks once every eight seconds until logging begins
Logger is subjected to a magnetic field	Blinks once every second when the magnet is present, then (Normal mode only) blinks rapidly three times when logging begins.
Logger is logging in Normal mode	Blinks once every one to four seconds (the shorter the logging interval, the faster the light blinks); blinks when logging a sample
The logger is logging in Fast mode	Blinks once every quarter-second

## Mounting the Logger

The provided mounting bracket offers two orientation options for securing the logger to a rigid surface.

Secure the bracket to the object of interest, then use the mounting screw provided to attach the logger to the bracket.



## Protecting the Logger

The logger can be damaged if the water depth rating is exceeded. The depth rating is approximately 30 m (100 ft) at temperatures below 20°C (68°F), but is less in warmer water. Refer to Plot B for details.

Do not store the logger in the coupler. Remove the logger from the coupler when you are not using it. When the logger is in the

coupler or near a magnet, it consumes more power and will drain the battery prematurely.

Keep the logger away from magnets. Being near a magnet can cause false coupler events to be logged. It can also launch the logger prematurely if it is waiting for a trigger start.

### Note! Static electricity may cause the logger to stop logging.

To avoid electrostatic discharge, transport the logger in an anti-static bag, and ground yourself by touching an unpainted metal surface before handling the logger. For more information, search for “static discharge” in the FAQ section on onsetcomp.com.

Periodically inspect the desiccant and dry it if it is not bright blue. The desiccant pack is located in the cap of the logger. To dry the desiccant, remove the desiccant pack from the cap and leave the pack in a warm, dry location until the bright blue color is restored. (Refer to the *Battery* section for instructions on removing and replacing the logger cap.)

Temperature Range	Desiccant Maintenance Schedule
Less than 30°C (86°F)	Approximately once per year
30° to 40°C (86° to 104°F)	Approximately every six months
Over 40°C (104°F)	Approximately every three months

## Factory Calibration

The logger is factory-calibrated and does not require any additional calibration. To verify proper calibration, check the logger’s status (when it is not logging) in the HOBOWare software to check the logger’s response to gravity. When any of the axes are held horizontally, you should see a reading close to zero. When held vertically, with the arrow facing downwards, the response should be close to 1 g.

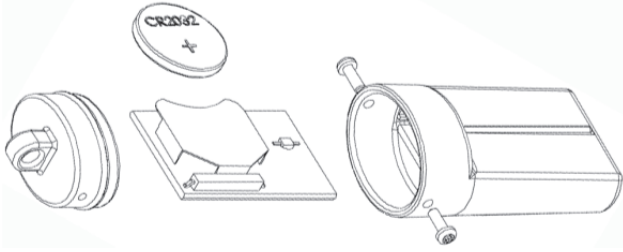
## Battery

The logger requires one 3-Volt CR-2032 lithium battery. Battery life varies based on the temperature and the frequency at which the logger is recording data (the logging interval). A new battery typically lasts one year with logging intervals greater than one minute. Deployments in extremely cold or hot temperatures, or logging intervals faster than one minute, may significantly reduce battery life. Continuous logging at the fastest logging rate of 0.01 seconds (100 Hz) will deplete the battery in as little as one week.

To replace the battery:

1. Remove the two screws that secure the end cap to the case and remove the cap.
2. Examine the desiccant pack that is tucked into the cap. If the desiccant is not bright blue, put the desiccant pack in a warm, dry place until the blue color is restored.
3. Gently tap the case to loosen the circuit board and remove it from the case.
4. Carefully push the battery out of the holder with a small, nonmetallic blunt instrument.

5. Insert a new battery, positive side facing up.



6. Return the circuit board and label to the case, carefully aligning the circuit board with the grooves in the case so that the battery faces the ridged side of the case.
7. Replace the end cap, ensuring that the desiccant pack is tucked into the cap, and the o-ring is seated in the groove, not pinched or twisted. Make sure no dirt or lint is trapped on the o-ring, as this could result in a leak.
8. Re-fasten the screws. Do not over-tighten the screws.

**⚠ WARNING:** Do not cut open, incinerate, heat above 85°C (185°F), or recharge the lithium battery. The battery may explode if the logger is exposed to extreme heat or conditions that could damage or destroy the battery case. Do not dispose of the logger or battery in fire. Do not expose the contents of the battery to water. Dispose of the battery according to local regulations for lithium batteries.